

VX-1500



Matsuura

URL : <http://www.matsuura.co.jp/>
E-MAIL: webmaster@matsuura.co.jp

MATSUURA MACHINERY CORPORATION

1-1 Urushihara-cho Fukui City 910-8530, Japan
TEL : +81-776-56-8106 FAX : +81-776-56-8151

MATSUURA EUROPE GmbH

Berta-Cramer-Ring 21
D-65205 Wiesbaden-Delkenheim, Germany
TEL : +49-6122-7803-80 FAX : +49-6122-7803-33
URL : <http://www.matsuura.de/>
E-MAIL : info@matsuura.de

MATSUURA MACHINERY Ltd.

Gee Road, Whitwick Business Park, Coalville Leicestershire, LE67 4NH, England
TEL : +44-1530-511-400 FAX : +44-1530-511-440
URL : <http://www.matsuura.co.uk/>
E-MAIL : sales@matsuura.co.uk

MATSUURA MACHINERY GmbH

Berta-Cramer-Ring 21
D-65205 Wiesbaden-Delkenheim, Germany
TEL : +49-6122-7803-0 FAX : +49-6122-7803-33
URL : <http://www.matsuura.de/>
E-MAIL : info@matsuura.de

ELLIOTT MATSUURA CANADA INC.

2120 Buckingham Road Oakville Ontario L6H 5X2, Canada
TEL : +1-905-829-2211 FAX : +1-905-829-5600
URL : <http://www.elliottmachinery.com/>
E-MAIL : sales@elliottmachinery.com

MMTS CORPORATION

65 Union Avenue Suite2, Sudbury Massachusetts 01776, U.S.A.
TEL : +1-978-443-5388 FAX : +1-978-443-9524

- Product specifications and dimensions are subject to change without prior notice.
- The photos may show optional accessories.



Products are subject to all applicable export control laws and regulations.

Matsuura VX-1500

Introducing the **VX-1500**. Robust and heavy duty performance from the pioneers of vertical machining

The all new **VX-1500** is the latest heavy weight vertical from Matsuura - the pioneers of vertical machining technology. Offering high performance processing of components up to 2 tons in weight, the **VX-1500** is the new logical choice for companies seeking cost effective quality, reliability & machining excellence.

The **VX-1500** incorporates a new **MAXIA** Spindle - delivering astonishing power and accuracy to all machining duties - no matter which industry or material, from pre-hardened steels to aluminium.

Table size: 1,700×700 mm (66.92×27.55 in.)

Loading Capacity: 2,000 kg (4,400 lb.)

MAXIA spindle: 15,000 min⁻¹

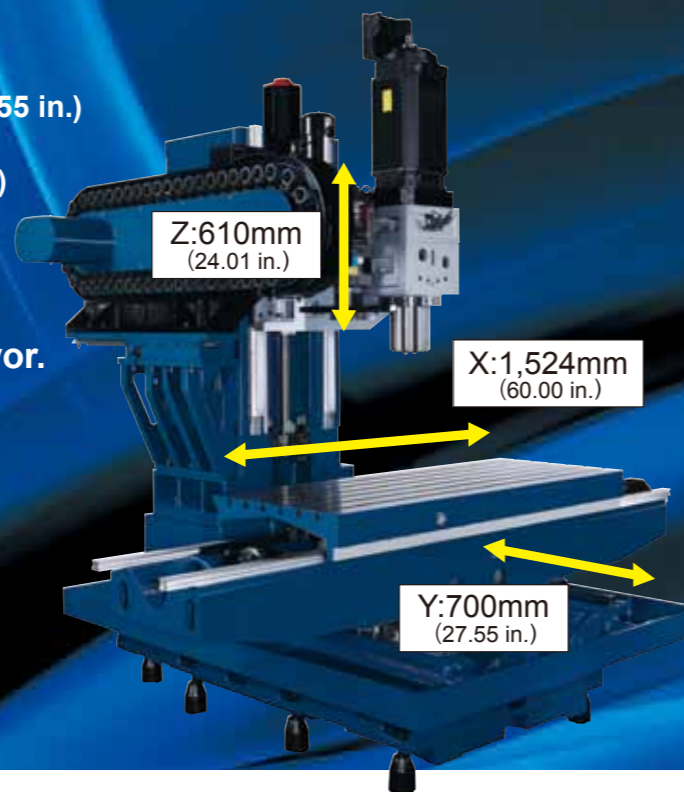
**Standard features:
Spindle through coolant and lift up conveyor.**



Coolant-through mechanism



Lift-up conveyor



MAXIA
Innovation by Matsuura

The Matsuura designed MAXIA Spindle - robust, reliable and accurate. From Aluminium to hard-to-cut materials - the VX auto grease spindle offers effortless performance.

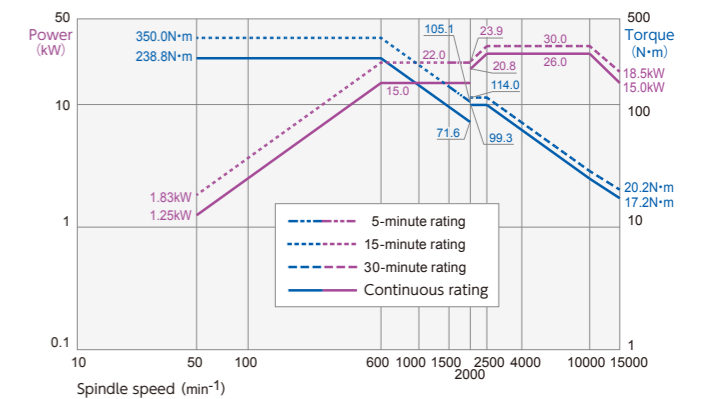
The MAXIA Spindle - designed by Matsuura. Our pioneering heritage as the technology innovators in high speed spindles now sees that history invested in our MAXIA brand spindles. The newly designed VX-1500 spindle offers reliable and robust performance operation upto 15,000 min⁻¹ - with Matsuura's legendary sustained precision and accuracy as standard.

MAXIA Spindle

The MAXIA Spindles adhere to the very same stringent quality controls as stipulated by Matsuura. Hand built in a dedicated clean room environment, the VX-1500 maintenance free auto grease 15,000 min⁻¹ MAXIA spindle achieves the same build accuracies and strict QA controls as all Matsuura spindles.



Spindle Power and Torque Diagram



Thermal Displacement Function: Eliminate Errors from Spindle Growth.

The MAXIA spindle possesses a tried and tested Thermal Displacement function that eliminates machining errors due to thermal growth of the machine - offering long periods of stable, reliable and accurate operation even if the machining environment ambient temperature excessively fluctuates.

Standard features of spindle	
Spindle oil cooler	
Coolant-through spindle 2 MPa	
Thermal displacement compensation of spindle 15K BT40 Temperature monitoring type	
Automatic grease supply type	
Synchronised tapping	

Spindle specifications	
Spindle taper	7/24 taper JIS BT40 (Double contact type)
Spindle speed range	50 - 15,000 min ⁻¹
Spindle motor	15/22 kW (Low-speed winding: Continuous/40 %) / 26/30 kW (High-speed winding: Continuous/30 min)
Max. Spindle Torque	350 N·m / 600 min ⁻¹

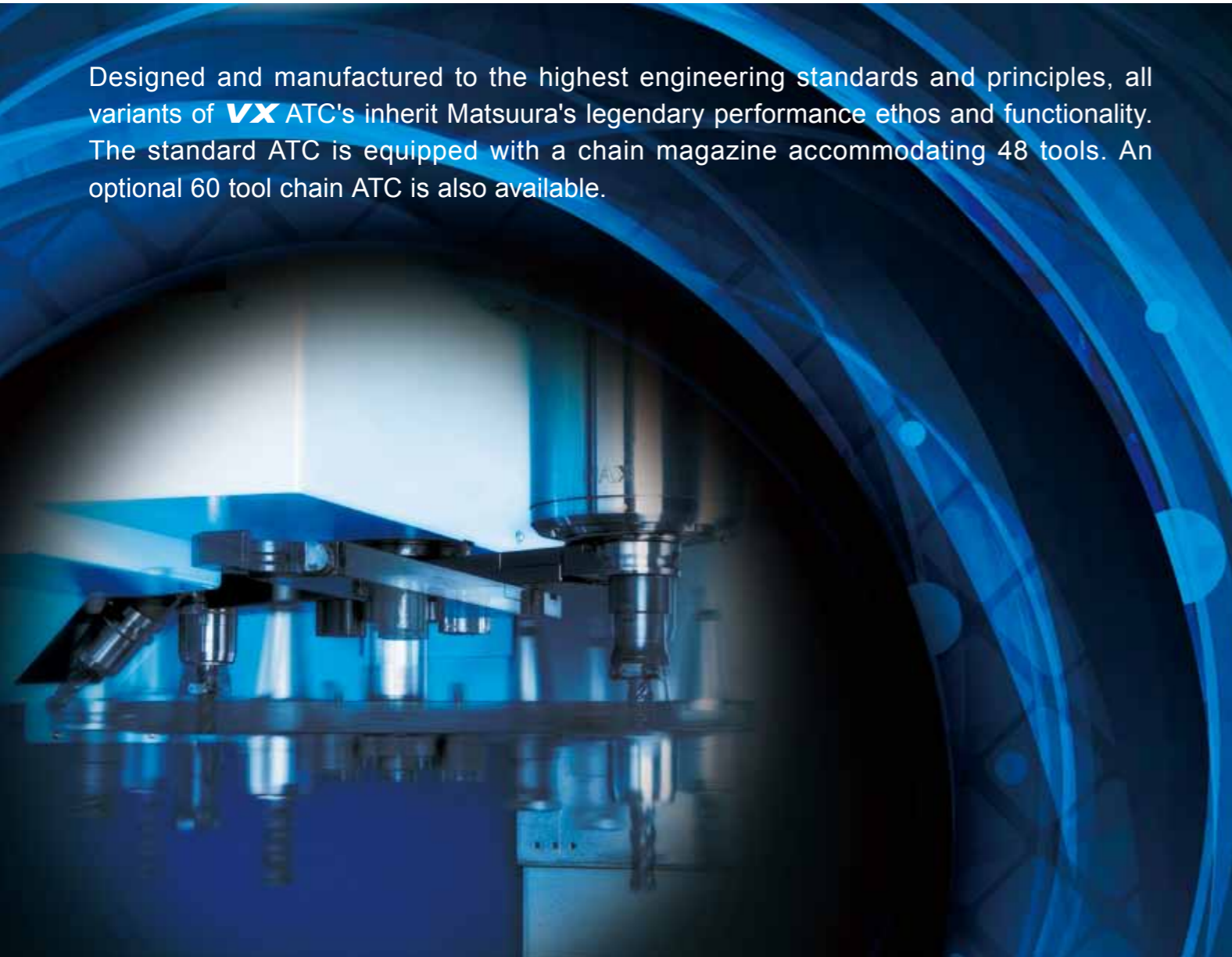
■ Cutting test results (BT40 15,000min⁻¹)

	Work material	Tool	Cut width Cut depth	Spindle rotation speed	Cutting feed rate	Cutting amount		Work material	Tool	Spindle rotation speed	Cutting feed rate	Work material
Face mill	A5052	Ø80mm (3.14) 3 blades	W=70mm (2.75) D=5mm (0.19)	5,500 min ⁻¹	11,000 mm/min (433.07)	3,850 cc/min	Drill	A5052	Ø35mm (1.37)	1,500 min ⁻¹	800 mm/min (31.49)	769 cc/min
	S45C	Ø125mm (4.92) 9 blades	W=100mm (3.93) D=5mm (0.19)	550 min ⁻¹	880 mm/min (34.64)	440 cc/min		S45C	Ø35mm (1.37)	1,300 min ⁻¹	330 mm/min (12.99)	317 cc/min
End mill	A5052	Ø25mm (0.98) 2 blades	W=22mm (0.86) D=10mm (0.39)	10,000 min ⁻¹	10,000 mm/min (393.70)	2,200 cc/min	Tap	A5052	M42 × P4.5	100 min ⁻¹	450 mm/min (17.71)	
	S45C	Ø20mm (0.78) 4 blades	W=3mm (0.11) D=35mm (1.37)	5,500 min ⁻¹	6,500 mm/min (255.90)	683 cc/min		S45C	M42 × P4.5	100 min ⁻¹	450 mm/min (17.71)	

*Results above may differ in repeat tests due to different operating conditions.

Proven tool management performance - Matsuura's precision engineered ATC technology.

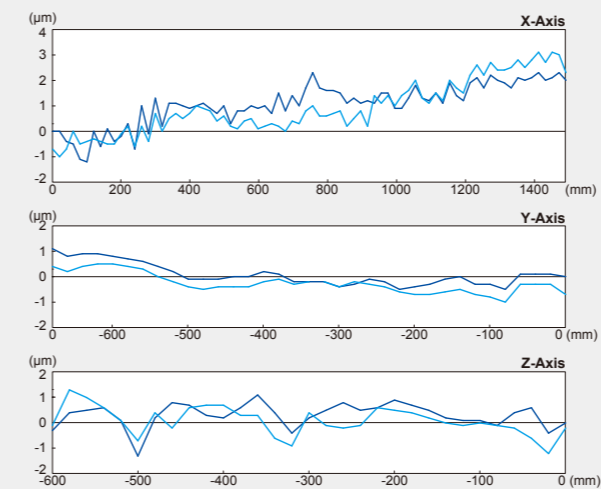
Designed and manufactured to the highest engineering standards and principles, all variants of **VX** ATC's inherit Matsuura's legendary performance ethos and functionality. The standard ATC is equipped with a chain magazine accommodating 48 tools. An optional 60 tool chain ATC is also available.



High-precision positioning

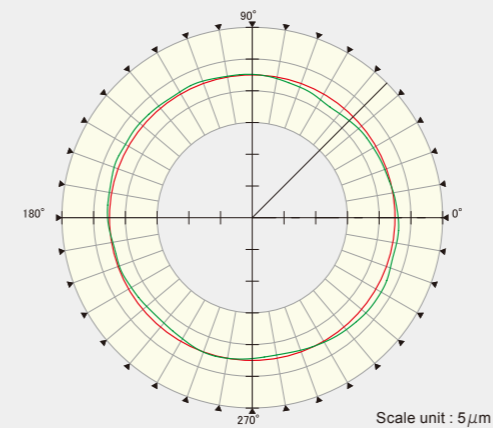
High precision and rigidity are standard features of all ballscrews and linear guides - offering dynamic and repeatable performance over many years of operation.

Positioning accuracy of each axis



* The measurement results are actual values but not guaranteed values.

Measurement results verifying high accuracy



**Roundness
2.14 µm**

* Actual value

Filter	1-15
Material	Aluminum A5052
Spindle rotation speed	5,000 min ⁻¹
Feed rate	1,000 mm/min(39.37 ipm)
Tool	2-blades end mill

* The measurement results are actual values but not guaranteed values.

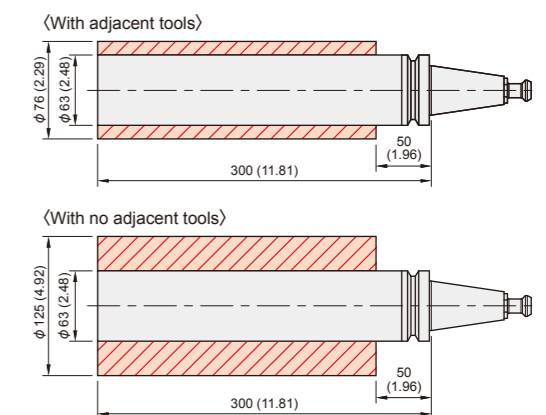
Automatic tool changer



Standard chain magazine for 48 tools



Maximum tool size mm (in.)



Main specifications

Movement and Ranges (X/Y/Z axis)	mm (in.)	1,524 / 700 / 610 (60.00 / 27.55 / 24.01)	Rapid traverse rate (X/Y/Z axis)	m/min (in.)	36 (1417.32)
Working Surface	mm (in.)	1,700 × 700 (66.92 × 27.55)	Spindle speed range	min ⁻¹	50 - 15,000
Loading Capacity	kg (lb.)	2,000 (4,400)	Spindle taper		BT40

Offering dynamic production enhancing features and systems as standard, the **VX-1500** sets new standards in vertical machining performance.

The **VX-1500** incorporates features that have been optional extras for many previous vertical machine models. As ever with Matsuura, our pursuit of excellence and production value for our customers has driven us to set a new standard of cost down performance for exceptional quality in our vertical range. The **VX-1500** is the machine for all applications, all industries and all materials.

Excellent Swarf Management

Modern machine shops and production environments require proven swarf management. Downtime due to blocked conveyors and "swarf traps" because of poor machine design are unacceptable as manufacturers lessen their time to market and improve cost per part ratios. The **VX-1500** inherits all of the design success of previous Matsuura machines and their proven swarf management design systems.

- Chip flush
- Spiral chip conveyor
- Air Blow for Chip Removal



- Lift-up conveyor



- Coolant-through Spindle System

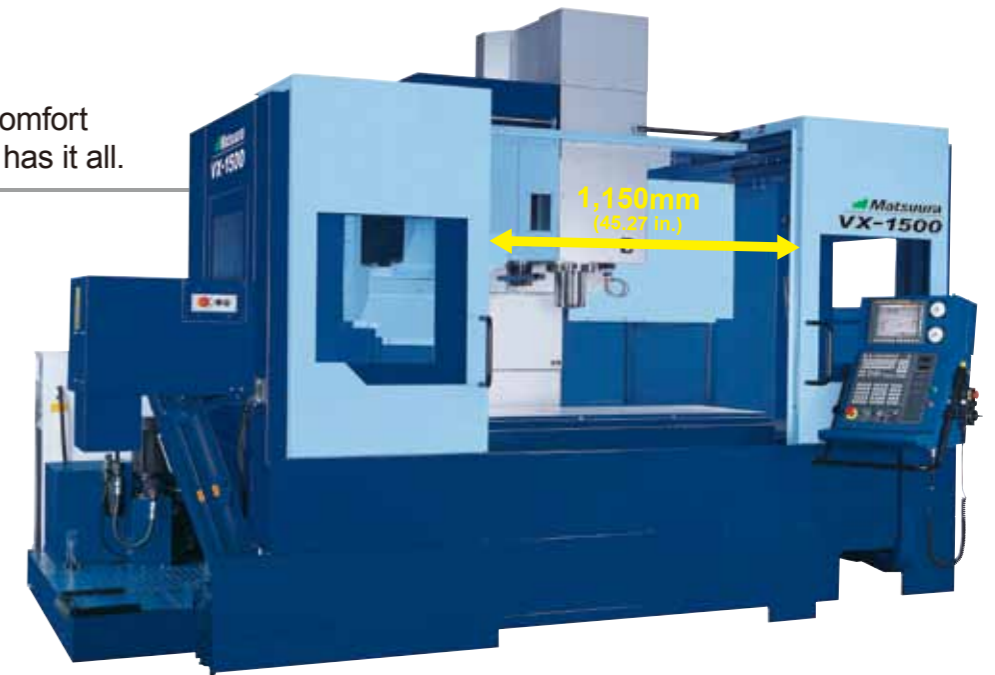


- Workpiece cleaning gun



Ergonomic design, operator comfort and safety: The **VX-1500** has it all.

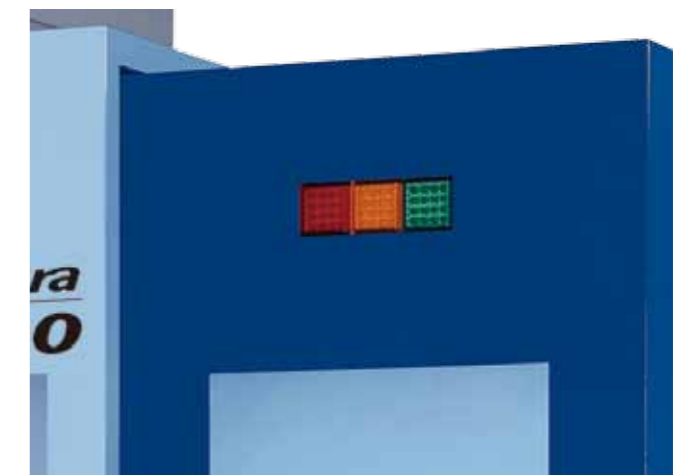
The **VX-1500** is designed to maximise operator comfort and increase production output. Simple touches such as the remote manual pulse generator and a cavourness opening of 1,150mm gives the operator ease of use and reduce set up time.



- External Manual Pulse Generator



- 3-color Signal Light



CE markings

This product is designed in conformity with European Machinery Directives, EMC Directives, and Low-voltage Directives, thus bearing CE markings.



Standard Machine Specifications

■ Movement and Ranges			
X-Axis Travel	mm (in.)	1524 (60.00)	
Y-Axis Travel	mm (in.)	700 (27.55)	
Z-Axis Travel	mm (in.)	610 (24.01)	
Table Surface to Spindle Gauge Line	mm (in.)	150 - 760 (5.90- 29.92)	
Table Center to Column Guideway	mm (in.)	435 - 1135 (17.12 - 44.68)	
Spindle Center to Column Guideway	mm (in.)	785 (30.9)	
■ Table			
Working Surface	mm (in.)	1700 X 700 (66.92×27.55)	
Loading Capacity	kg (lb.)	2000 (4400)	
Working Surface Configuration (width × number × pitch)	mm (in.)	18 (11/16) × 6×100 (3.93)	
Table Height (from floor)	mm (in.)	1039 (40.90)	
■ Spindle			
Spindle Speed Range	min ⁻¹	50 - 15000 (Grease Lubrication)	
Spindle Speed Change Command		S5-digit Direct Command	
Spindle Taper		7/24 Taper JIS BT40 (Double Contact Type)	
Spindle Bearing Inner Dia.	mm (in.)	80 (3.14)	
Max. Spindle Torque	N · m	350 / 600min ⁻¹	
Spindle Air Blow		Standard	
Spindle Orientation		Standard (Electrical)	
Tool Clamping Force	kN	21.5	
■ Feedrate			
Rapid Traverse Rate	X / Y / Z	mm/min (ipm)	36000 (1417.32)
Feedrate	X / Y / Z	mm/min (ipm)	1 - 20000 (0.1 - 787.4) Limited to maximum cutting feed rate of the z-axis if simultaneous 2-axis (X/Z and Y/Z) or 3-axis (X/Y/Z) interpolation command is executed.
Feedrate Max. Acceleration	X / Y / Z	G	0.15 / 0.15 / 0.15
Jog Feedrate		mm/min (ipm)	With Door Opened: 2000 (78.74) Fast Feed with Door Closed: F0%, 25%, 50%, 100%
Min. Movement Increment	X / Y / Z	mm (in.)	0.001 (0.000039)

■ Automatic Tool Changer			
Type of Tool Shank		JIS B 6339 Tool Shank 40T	
Type of Retention Knob		JIS B 6339 Pull Stud 40P	
Number of Tools		48	
Max. Tool Diameter	mm (in.)	76 (2.99)	
Max. Tool Diameter	mm (in.)	125 (4.92) (When the pockets on both side are empty)	
Max. Tool Length	mm (in.)	300 (11.81)	
Max. Tool Mass	kg (lb.)	7 (15.4)	
Tool Selection		Memory Random	
Tool Change Arm		Double Grip Type	
Tool Pocket Pitch	mm (in.)	76.2 (3.0)	
■ Motors			
Spindle Motor	kW	AC 15 / 22 (low-speed winding: continuous/40 %)	
	kW	AC 26 / 30 (high-speed winding: continuous/30 min)	
Feed Motors	X-Axis	kW	AC 4.0
	Y-Axis	kW	AC 4.0
	Z-Axis	kW	AC 7.0
Coolant Pump Motor	kW	AC 0.6 / 1.04 (50Hz / 60Hz)	
Chip Flush Pump Motor	kW	AC 2.2 / 2.5 (50Hz / 60Hz)	
Oil Cooler Pump Motor	kW	AC 0.75	
■ Power Supply			
Electrical Power Supply	kVA	43 (varies with option configuration)	
Power Supply Voltage	V	AC 200 / 220 ± 10% Transformer required if supply voltage is other than above	
Power Supply Frequency	Hz	50 / 60 ± 1	
Compressed Air Supply	MPa	0.54 - 0.93	
■ Tank Capacity			
Coolant Tank Capacity	L	600	
Oil Cooler Tank Capacity	L	36	

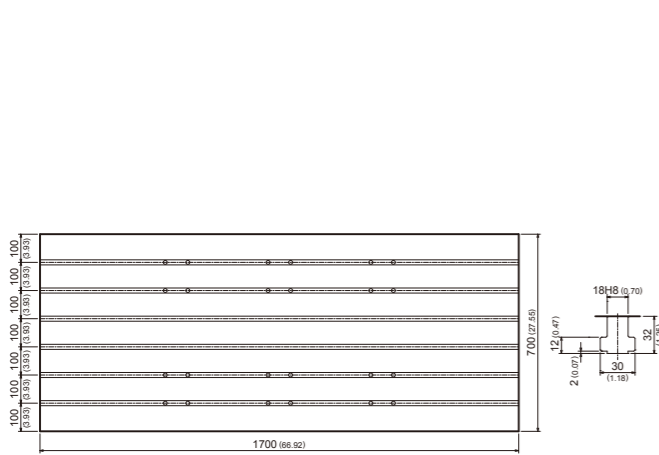
■ Machine Size			
Machine Height (from floor)	mm (in.)	3350 (131.88)	
Floor Space	mm (in.)	4520W × 3250D (177.95W × 127.95D) (varies with option configuration)	
Mass of Machine	kg (lb.)	9500 (20900) (include NC Equipment and ATC Magazine)	
■ NC System			
Control System		FANUC Series 31i	
■ Standard Accessories			
01. Total Enclosure Guard		With Top Side Cover	
02. ATC Magazine Guard			
03. CE Markings			
04. Synchronized Tapping Function			
05. Spindle Oil Cooler			
06. Lift-up Chip Conveyor (Scraper type)			
07. Air Blow for Chip Removal			
08. Workpiece Cleaning Gun			
09. Coolant-through Spindle System			
10. Spindle Thermal Displacement Compensation, 15k, BT40, Temperature Monitor Type			
11. Chip Flush System			
12. Coolant System		Chip Side Discharge	
13. Auto Oil Supply Unit for Feed Axes		Greasing Points with Female Ball Screws (X/Y/Z)	
14. Work Light			
15. 3-color Signal Light (Yellow, Red, and Green from Left)		Standard Specifications: Red (Alarm), Yellow (Work Completion), and Green (Automatic Operation)	
16. External Manual Pulse Generator			
17. Tools and Tool Box			
18. Machine Color Paint			
19. Leveling Bolts and Leveling Plates		not for Foundation Soleplate	
20. Memory card program operation and editing		CD-ROM	

Machine Option

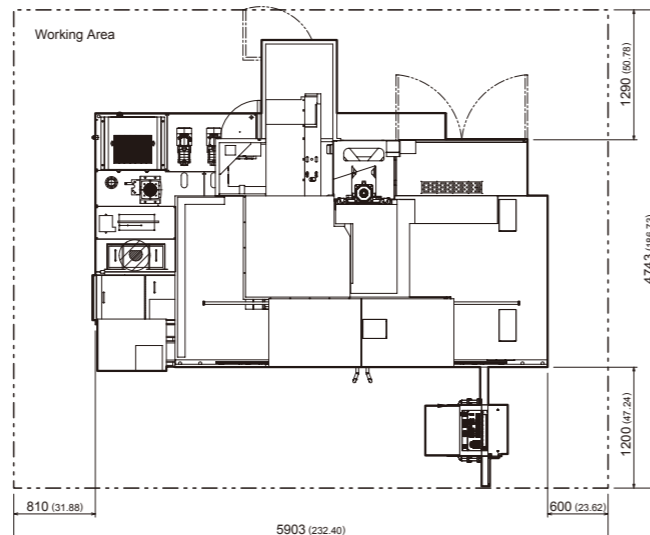
■ Machine Option	
60 Tools (#40 Chain Magazine)	
■ Scale Feedback System	
Scale Feedback System X/Y/Z (HEIDENHAIN)	
■ Coolant-through Spindle System	
Oil Temperature Controller with 50-BAR Coolant-through System of Mono-block Construction	
■ Coolant Temperature Controller	
Coolant Temperature Controller with 100-liter Tank (Separately Installed, Small Size)	
■ Automatic Measurement, Tool Breakage Detection	
Automatic Measurement / Automatic Alignment (Optical)	
Tool Breakage / Full Automatic Tool Length Measurement (Contact)	
Tool Breakage / Full Automatic Tool Length Measurement (Laser)	
Automatic Measurement (Optical) / Tool Breakage (Contact)	
Automatic Measurement (Optical) / Tool Breakage (Laser)	
■ Rotary Wiper	
Rotary Wiper	

* Optional accessories in a wide variety are available in addition to the above. For details, contact your Matsuura representative.

Table top view Unit: mm (in.)

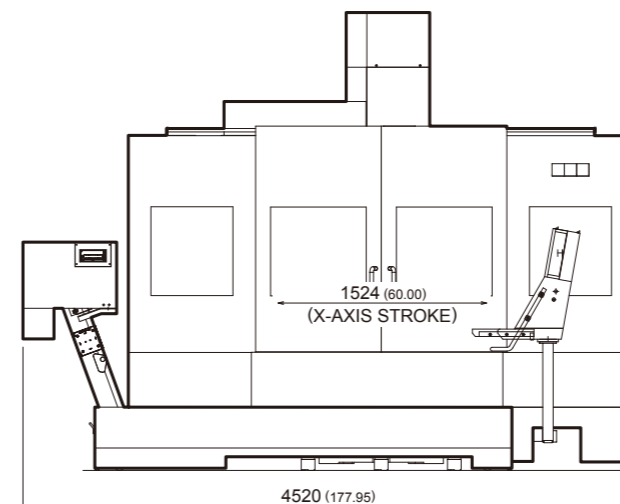


Floor plan Unit: mm (in.)



External view Unit: mm (in.)

Front view



Right side view

